

Type H9C Load Cell



Short description



- Nickel plated alloy steel IP67 dual shear beam load cell
- High accuracy
- Suitable for truck and track scales and other heavy weighing devices
- Sealed construction



test certificate no. D09-07.07
C of C no R60/2000-NL1-10.14 Revision 1



Certificate no. 07-018A1

Available models

Capacity	Accuracy	Full article description
5Klb	C3/C4	H9C-C3/C4-5K-9B
10Klb	C3/C4	H9C-C3/C4-10K-9B
20Klb	C3/C4	H9C-C3/C4-20K-9B
30Klb	C3	H9C-C3-30K-9B
40Klb	C3	H9C-C3-40K-9B
50Klb	C3	H9C-C3-50K-9B
60Klb	C3	H9C-C3-60K-9B
75Klb	C3	H9C-C3-75K-9B
100Klb	C3	H9C-C3-100K-9B
150Klb	C3	H9C-C3-150K-9B
200Klb	C3	H9C-C3-200K-9B
250Klb	C3	H9C-C3-250K-9B

Specifications and dimensions are subject to change without notice and do not constitute any liability whatsoever.

Type H9C Load Cell

Detailed specifications H9C

Accuracy class		OIML R60 C3	OIML R60 C4
Output sensitivity (= FS)	mV/V	3.0 ± 0.003	
Maximum capacity (E _{max})	Klb	5, 10, 20, 30, 40, 50, 60, 75, 100, 150, 200, 250	5, 10, 20
Max.number of load cell intervals	n _{LC}	3000	4000
Ratio of min. LC verification interval	Y = E _{max} / v _{min}	10000	15000
Combined Error	%FS	≤± 0.0230	≤± 0.0175
Minimum dead load	Of E _{max}	0%	
Safe overload	of E _{max}	150 %	
Ultimate overload	of E _{max}	300 %	
Zero balance	of FS	< ± 1.0 %	
Excitation, recommended voltage	V	5 ~ 12	
Excitation maximum	V	18	
Input resistance	Ω	700 ± 7	
Output resistance	Ω	703 ± 4	
Insulation resistance	MΩ	≥5000 (at 50VDC)	
Compensated temperature	°C	-10 ~ +40	
Operating temperature	°C	-35 ~ +65	
Storage temperature	°C	-40 ~ +80	
Element material		Nickel plated alloy steel	
Ingress Protection (acc. to EN 60529)		IP67	
ATEX classification (optional)		II1G Ex ia II1C T4	II1D Ex iaD 20 T73°C II3G nL IIC T4

Wiring

Wiring:

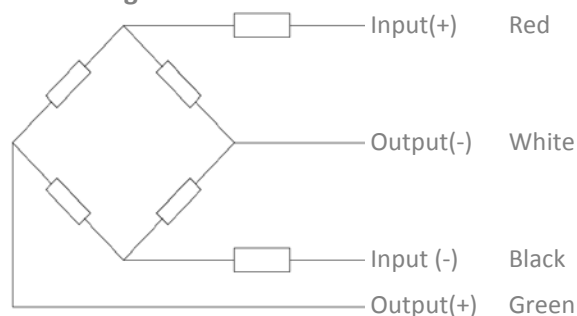
Shielded, 4 conductor cable.

Cable diameter for 5k – 20k: Ø5mm and for 30k – 250k: Ø8mm.

Standard cable length: 9m.

Shield not connected to element.

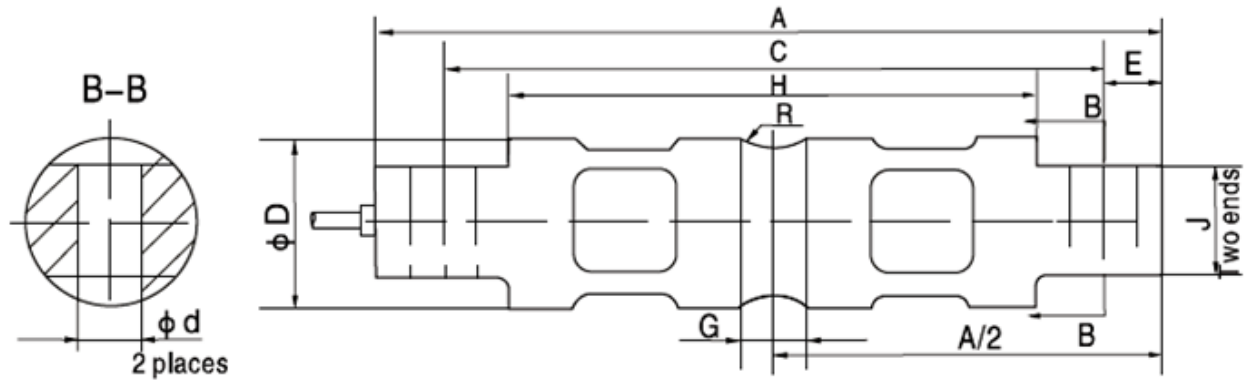
4-wire diagram



Specifications and dimensions are subject to change without notice and do not constitute any liability whatsoever.

Type H9C Load Cell

Dimensions in mm

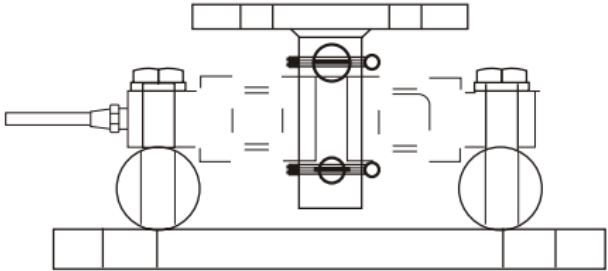
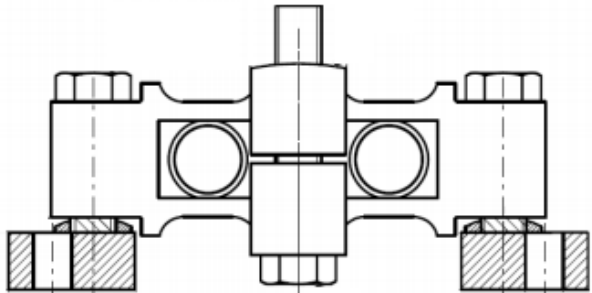
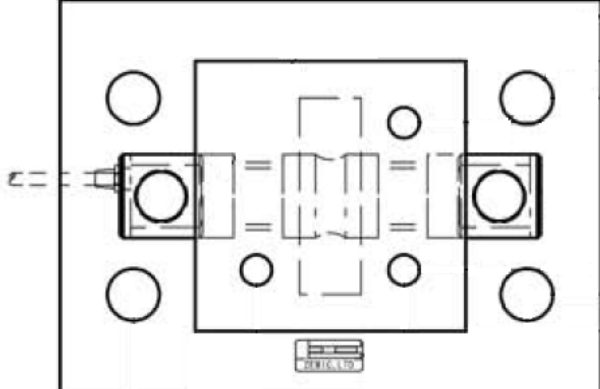


Dimension Capacity	A	C	H	G	ØD	J	Ød	R	E
5Klb, 10Klb	206.2	174.6	133.1	15.7	43.2	28.4	16.7	12.7	15.7
15Klb, 20Klb	206.2	174.6	133.1	21.3	49.5	28.4	16.7	12.7	15.7
30Klb-75Klb	260.4	215.9	165.1	25.4	76.2	60.2	26.9	25.4	22.4
90Klb, 100Klb	285.8	241.3	190.2	31.0	88.9	63.5	26.9	38.1	22.4
150Klb	285.8	241.3	190.2	31.0	99.1	71.1	26.9	38.1	22.4
200Klb, 250Klb	408.9	330.3	254	31.7	136.6	116.8	39.6	50.8	39.4

Specifications and dimensions are subject to change without notice and do not constitute any liability whatsoever.

Type H9C Load Cell

Available accessories

<p>HM-9-401-5-250Klb Mount</p> <ul style="list-style-type: none">• Easy installation• Compact construction• Anti-reversal ability• Alloy steel• Using under heavy static or slight dynamic load	
<p>HM-9-405-30-75Klb Mount</p> <ul style="list-style-type: none">• Alloy steel• No horizontal movement	
<p>HM-9-409-5-20Klb</p> <ul style="list-style-type: none">• Easy installation• Compact construction• Anti-reversal ability• Alloy steel• Using under heavy static or slight dynamic load	

Specifications and dimensions are subject to change without notice and do not constitute any liability whatsoever.