


# Type BM6G Load Cell



## Short description



- Stainless steel IP68/IP69k single point load cell
- Suitable for platform, belt scales and other weighing devices
- Maximum platform size 800 x 800mm (for 100 – 500 kg)
- Maximum platform size 400 x 400mm (for 10 – 50 kg)
- 10kg only available with PTB certificate D09-10.06 Revision 1 of C R60/2000 DE1-10.02
- 10kg, 20 kg, 50 kg also available with C4MR approval with PTB certificate D09-10.06 revision 1, C of C R60/2000 DE1-10.02 (Y=40000 Z=6000)

 test certificate no. TC8040 revision 0  
C of C no R60/2000-NL1-11.29

 Certificate no. 12-017

## Available models

Capacity	Accuracy	Full article description
10kg	C3/C4MR	BM6G-C3/C4MR-10kg-3B6
20kg	C3/C4 /C5/C4MR	BM6G-C3/C4/C5/C4MR-20kg-3B6
50kg	C3/C4 /C5/C4MR	BM6G-C3/C4/C5/C4MR-50kg-3B6
75kg	C3/C4/C5	BM6G-C3/C4/C5-75kg-SE-3B6
100kg	C3/C4/C5	BM6G-C3/C4/C5-100kg-SE-3B6
100kg	C3/C4/C5	BM6G-C3/C4/C5-100kg-3B
150kg	C3/C4/C5	BM6G-C3/C4/C5-150kg-3B
200kg	C3/C4/C5	BM6G-C3/C4/C5-200kg-3B
300kg	C3/C4/C5	BM6G-C3/C4/C5-300kg-3B
400kg	C3/C4/C5	BM6G-C3/C4/C5-400kg-3B
500kg	C3/C4/C5	BM6G-C3/C4/C5-500kg-3B

Specifications and dimensions are subject to change without notice and do not constitute any liability whatsoever.

# Type BM6G Load Cell

## Detailed specifications BM6G

Accuracy class		OIML R60 C3	OIML R60 C4	OIML R60 C5
Output sensitivity ( = FS )	mV/V	2.0 ± 0.2		
Maximum capacity ( E <sub>max</sub> )	kg	10, 20, 50, 75, 100, 150, 200, 300, 400, 500		20, 50, 75, 100, 150, 200, 250, 300, 400, 500
Max.number of load cell intervals	n <sub>LC</sub>	3000	4000	5000
Ratio of min. LC verification interval	Y = E <sub>max</sub> /	10000	15000	20000
Combined Error	%FS	≤± 0.0230	≤± 0.0175	≤± 0.0140
Minimum dead load	Of E <sub>max</sub>	0%		
Safe overload	of E <sub>max</sub>	150 %		
Ultimate overload	of E <sub>max</sub>	300 %		
Zero balance	of FS	< ± 2.0 %		
Excitation, recommended voltage	V	5 ~ 12		
Excitation maximum	V	18		
Input resistance	Ω	10, 20, 50 380 ± 15	100, 150, 200, 300, 400, 500 350 ± 3.5	
Output resistance	Ω	350 ± 10		
Insulation resistance	MΩ	≥5000 ( at 50VDC )		
Compensated temperature	°C	-10 ~+40		
Operating temperature	°C	-35 ~+65		
Storage temperature	°C	-40 ~ +70		
Element material		Stainless steel		
Ingress Protection (acc. to EN 60529)		IP68/IP69K		
Recommended torque on fixation	Nm	M6: 10		M8:25
ATEX classification (optional)		II1G Ex ia II1C T4	II1D Ex iaD 20 T73°C	II3G nL IIC T4

## Wiring

### Wiring:

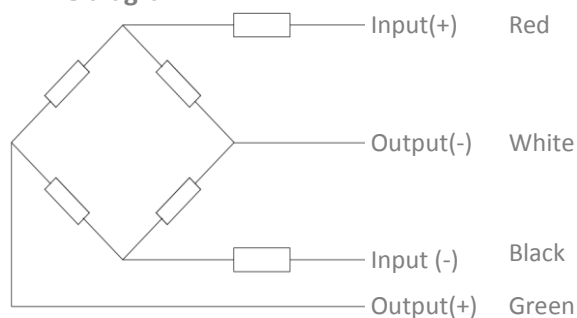
Shielded cable, 6 conductor cable for 10-100(SE)kg and 4 conductor cable for 100-500kg.

Cable diameter: Ø5mm

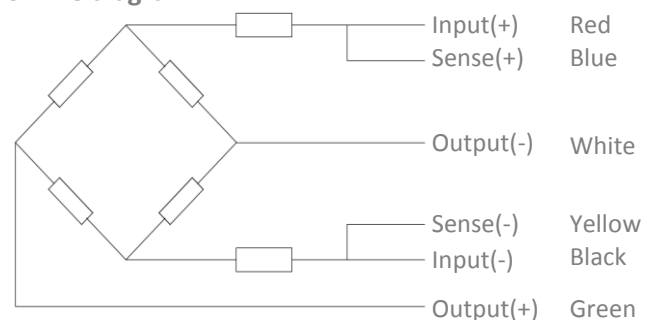
Standard cable length: 3m

Shield not connected to element

### 4-wire diagram



### 6-wire diagram

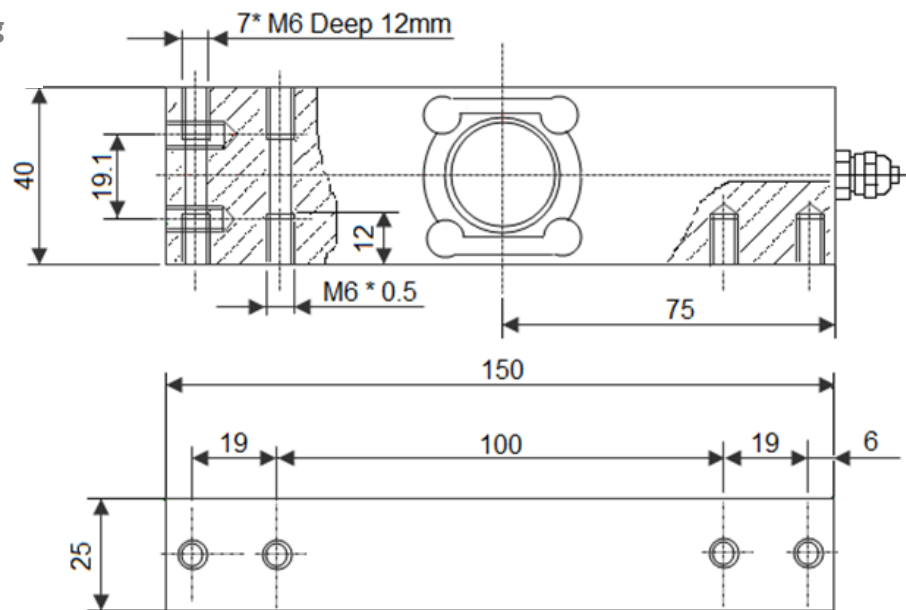


Specifications and dimensions are subject to change without notice and do not constitute any liability whatsoever.

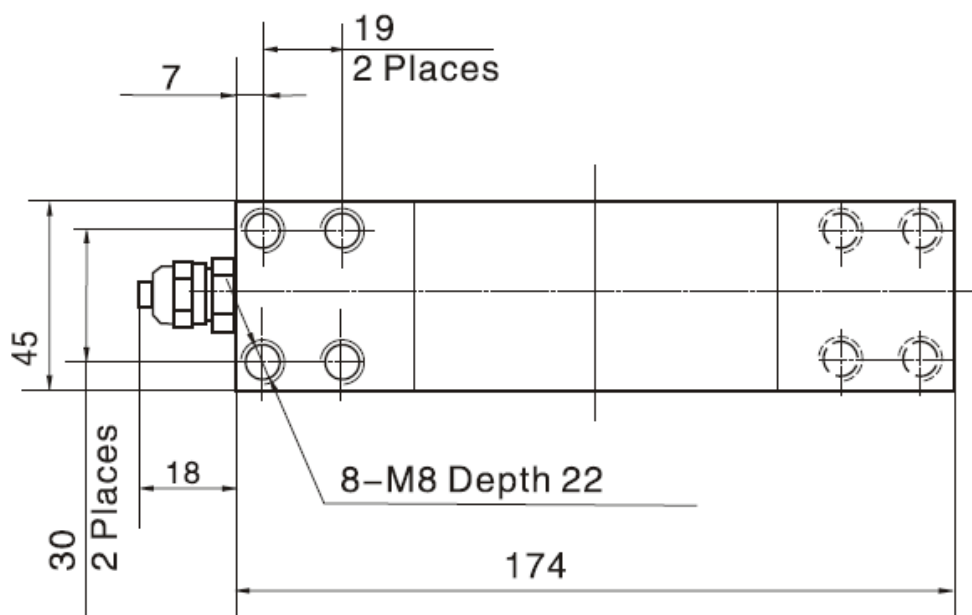
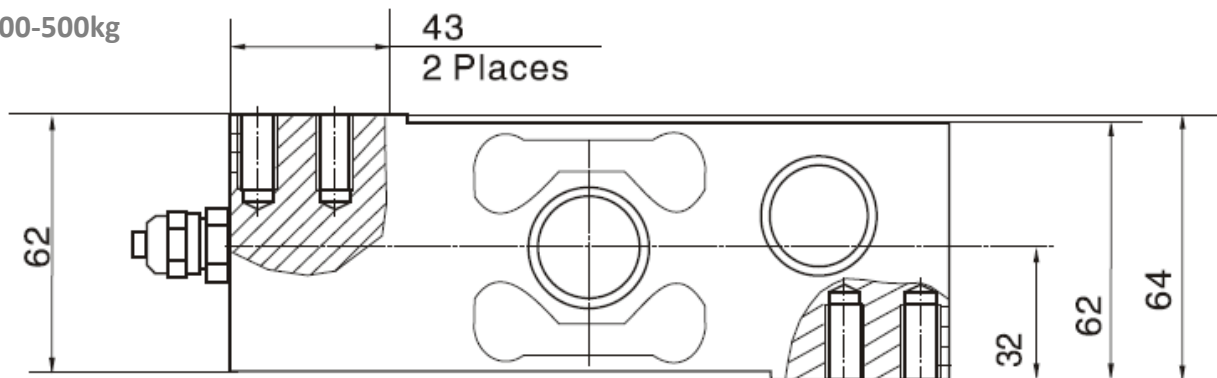
# Type BM6G Load Cell

Dimensions in mm

10-100(SE)kg



100-500kg



Specifications and dimensions are subject to change without notice and do not constitute any liability whatsoever.