

Type BM6E Load Cell



Short description



- Stainless steel IP68 single point load cell
- Suitable for single load cell structured platform scales
- High accuracy
- Maximum platform size: 600 x 600 mm

Non OIML approved

Available models

Capacity	Accuracy	Full article description
50kg	C3	BM6E-C3-50kg-2B
200kg	C3	BM6E-C3-200kg-2B
300kg	C3	BM6E-C3-300kg-2B

Specifications and dimensions are subject to change without notice and do not constitute any liability whatsoever.

Type BM6E Load Cell

Detailed specifications BM6E

Accuracy class		C3
Output sensitivity (= FS)	mV/V	2.0 ± 0.2
Maximum capacity (E _{max})	kg	50, 200, 300
Max.number of load cell intervals	n _{LC}	3000
Ratio of min. LC verification interval	$Y = E_{max} / v_{min}$	10000
Combined Error	%FS	≤± 0.0230
Minimum dead load	Of E _{max}	0%
Safe overload	of E _{max}	150 %
Ultimate overload	of E _{max}	300 %
Zero balance	of FS	< ± 1.5 %
Excitation, recommended voltage	V	5 ~ 12
Excitation maximum	V	18
Input resistance	Ω	350 ± 3.5
Output resistance	Ω	351 ± 2.0
Insulation resistance	MΩ	≥5000 (at 50VDC)
Compensated temperature	°C	-10 ...+40
Operating temperature	°C	-35 ...+65
Storage temperature	°C	-40 ...+70
Element material		Stainless steel
Ingress Protection (acc. to EN 60529)		IP68
Recommended torque on fixation	Nm	M6: 10
Corner correction		0.02% load value / 100mm

Wiring

Wiring:

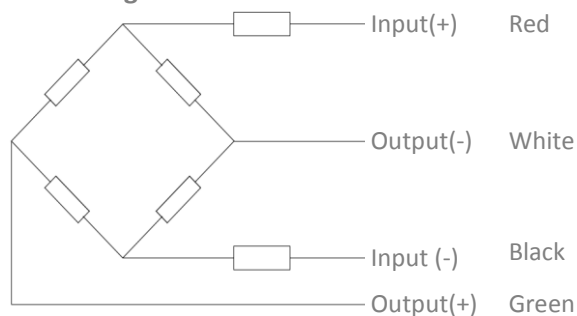
Shielded cable, 4 conductor cable.

Cable diameter: Ø5mm.

Standard cable length: 2m.

Shield not connected to element

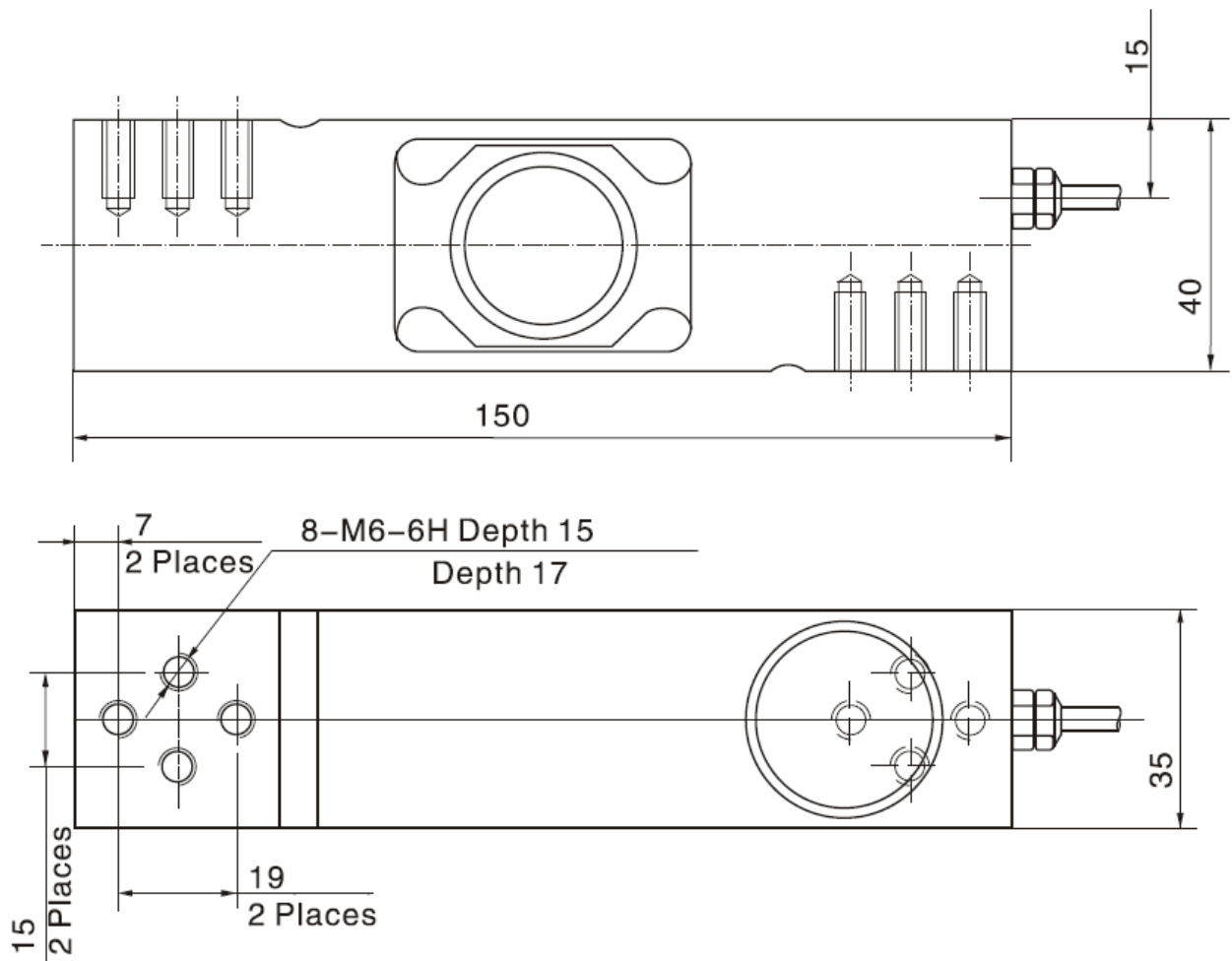
4-wire diagram



Specifications and dimensions are subject to change without notice and do not constitute any liability whatsoever.

Type BM6E Load Cell

Dimensions in mm



Specifications and dimensions are subject to change without notice and do not constitute any liability whatsoever.